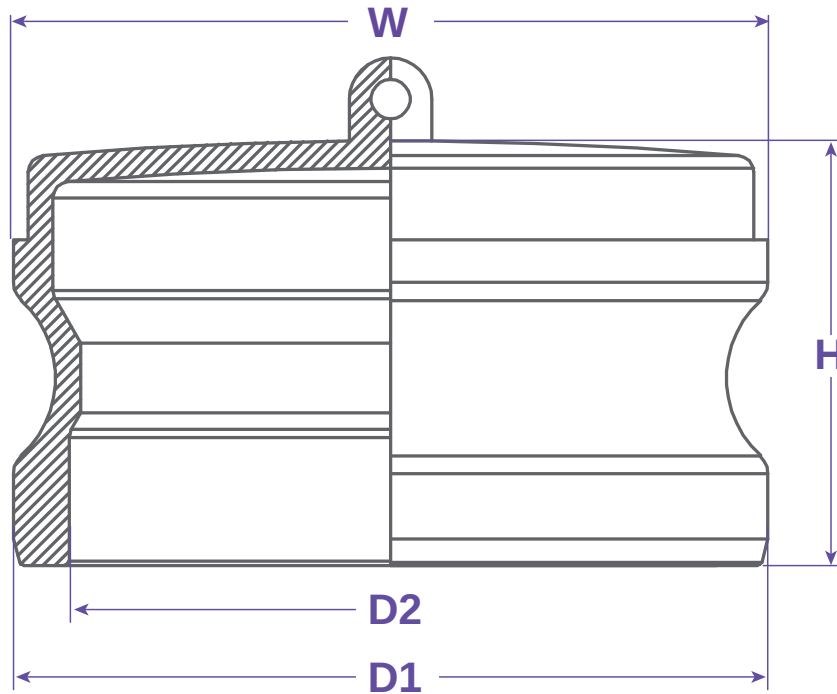




TYPE DP



- NOT DESIGNED FOR PRESSURE APPLICATIONS -

FEATURES & APPLICATIONS:

• **General Uses:**

A camlock fitting is a type of coupling that is used to connecting hose and or pipes together that transfers liquids, powders and granules. A straight through connection is made that maintains the pipe size and allows the free flow of materials being transferred.

Size	Working PSI	D1	D2	W	H	PART #
1/2"	0	0.957	0.642	0.957	1.013	DP050SS, SS304
3/4"	0	1.264	0.906	1.264	1.083	DP075SS, SS304
1"	0	1.445	1.142	1.445	1.299	DP100SS, SS304
1-1/4"	0	1.791	1.354	1.791	1.634	DP125SS, SS304
1-1/2"	0	2.102	1.673	2.102	1.634	DP150SS, SS304
2"	0	2.480	2.063	2.480	1.693	DP200SS, SS304
2-1/2"	0	2.984	2.472	2.984	1.894	DP250SS, SS304
3"	0	3.602	3.201	3.602	1.732	DP300SS, SS304
4"	0	4.705	4.303	4.705	1.906	DP400SS, SS304
5"	0	5.728	5.141	5.728	2.278	DP500SS, SS304
6"	0	6.929	6.142	6.929	2.126	DP600SS, SS304

WARNING: Cam & Groove Couplings should **NOT** be used with any compressed gas, including steam or air. Metal fittings should **NOT** be used with Polypropylene Cam & Groove. Dust Caps and Dust Plugs are **NOT** designed for pressure applications.

Note: All Seal Fast Cam & Groove Stainless Bodies are 316 Investment with 304 Handles.

TITLE TYPE DP - DUST PLUG	
<p>DISCLAIMER</p> <p>All drawings and specifications are subject to change without notice. Drawings represent general dimensions of our products. Seal Fast cannot guarantee the dimensions in the drawing will exactly match those in the drawing. This drawing is the property of Seal Fast Inc. Copying or reproduction of this drawing is expressly prohibited.</p>	<p>MATERIAL</p> <p>SUS 316, 304</p>
<p>DRAWING NOT TO SCALE</p>	<p>PART #</p> <p>DP...SS, SS304</p>

